

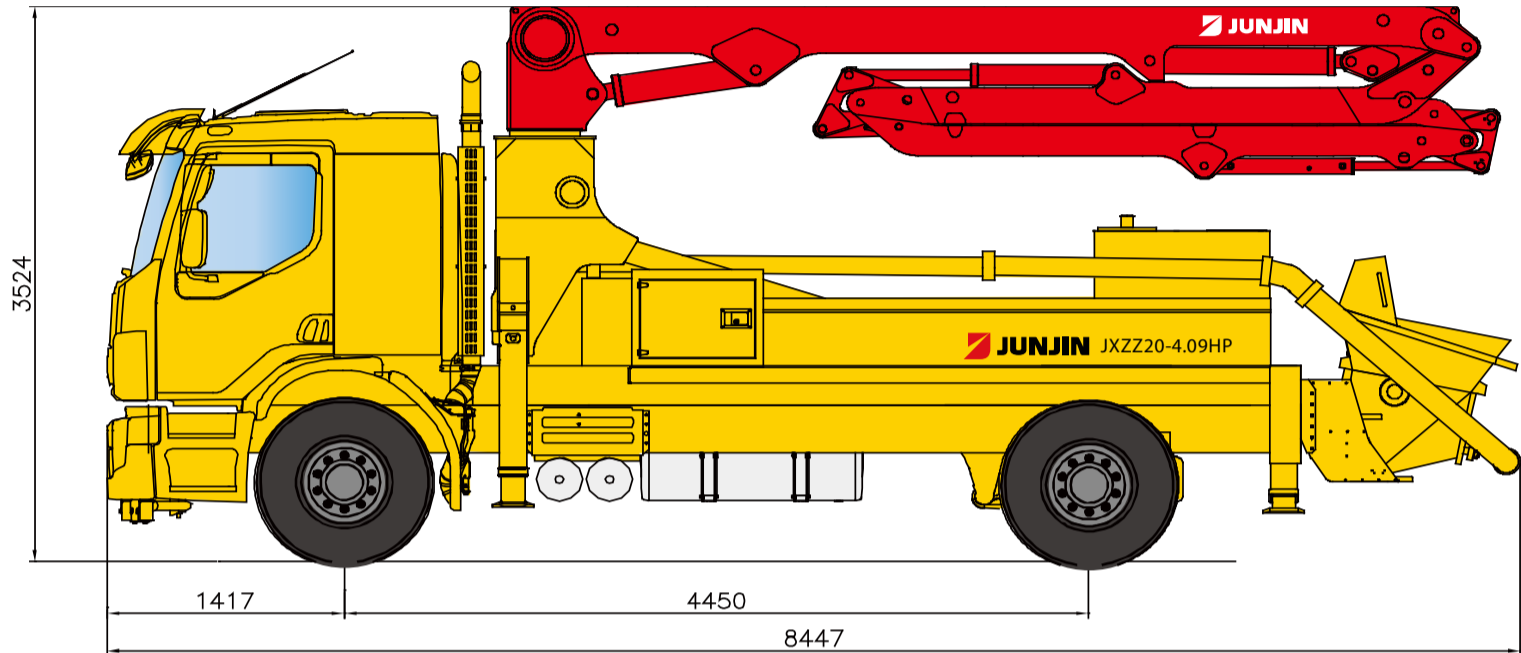
JXZZ20-4.09HP

DATA SHEET

TRUCK MOUNTED BOOM PUMP



20M Truck Mounted Boom Pump with 90m³/h Output ZZ Type Boom Design



* Remark : Standard specification with VOLVO 4X2. Dimension depends on truck specification.

TECHNICAL SPECIFICATION

GENERAL SPECIFICATION		PUMP SPECIFICATION			BOOM SPECIFICATION	
Delivery Line	DN 125 / 5"	Output	Rod	90 m ³ /h	Number of booms	4 Sections
Radio remote	Proportional control		Piston	60 m ³ /h	Folding Type	ZZ
Wear plate / Ring	Tungsten Carbide	Pressure	Rod	71 Bar	Vertical Height	20 m
Water Pump	20 Bar		Piston	106 Bar	Horizontal Reach	16.4 m
Water Tank	430 Liter	Delivery Cylinder (Hard-chromed)	Φ200 mm		Unfolding height	4.2 m
Auto Lubrication	Hyd. grease, Hopper	Stroke Length	1400 mm		End-Hose Length	3.0 m
		S-Valve	8" X 7"		1st Section	5.51 m
		Main Oil Pump	Rexroth Hydromatic		2nd Section	3.62 m
		System Pressure	350 Bar		3rd Section	3.62 m
		Switching Type	Hydraulic		4th Section	3.65 m
		Hopper Capacity	450 Liter			

* All technical data are theoretical values and Specification are subject to change without prior notice.
 * www.junj.in.com

JXZZ20-4.09HP

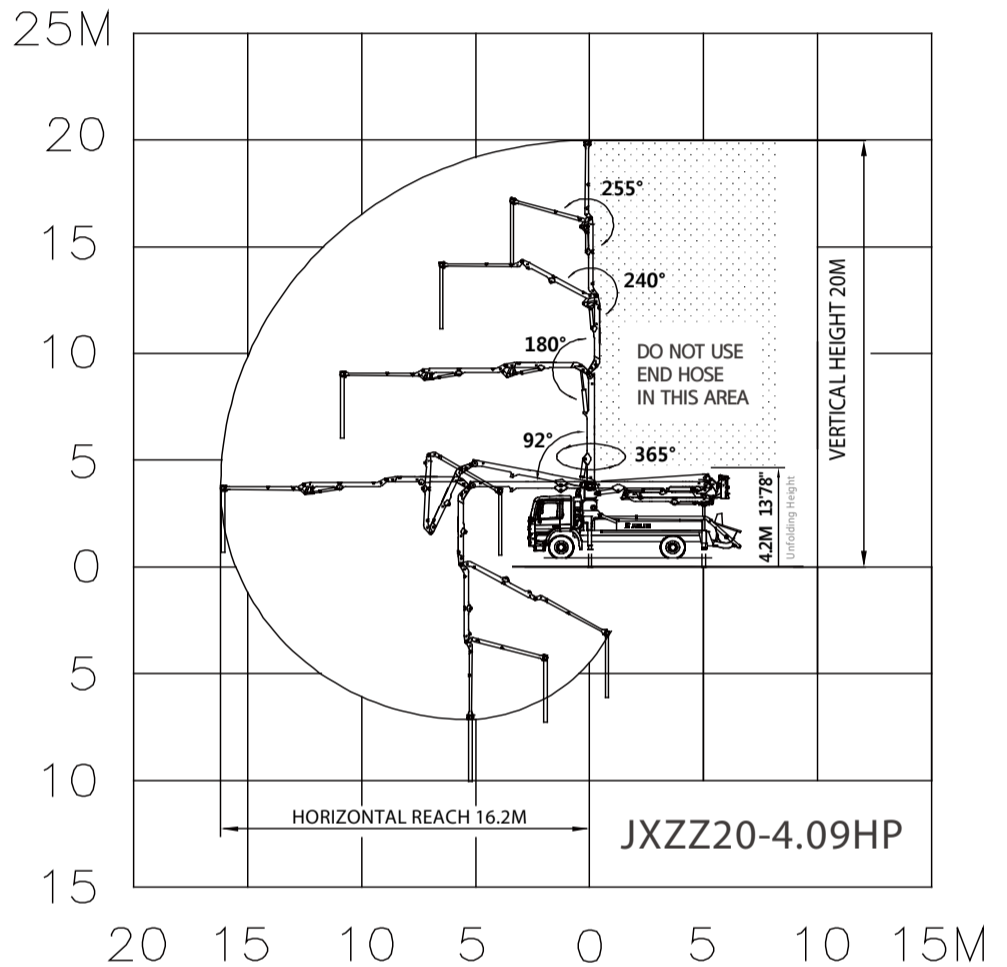
DATA SHEET

TRUCK MOUNTED BOOM PUMP

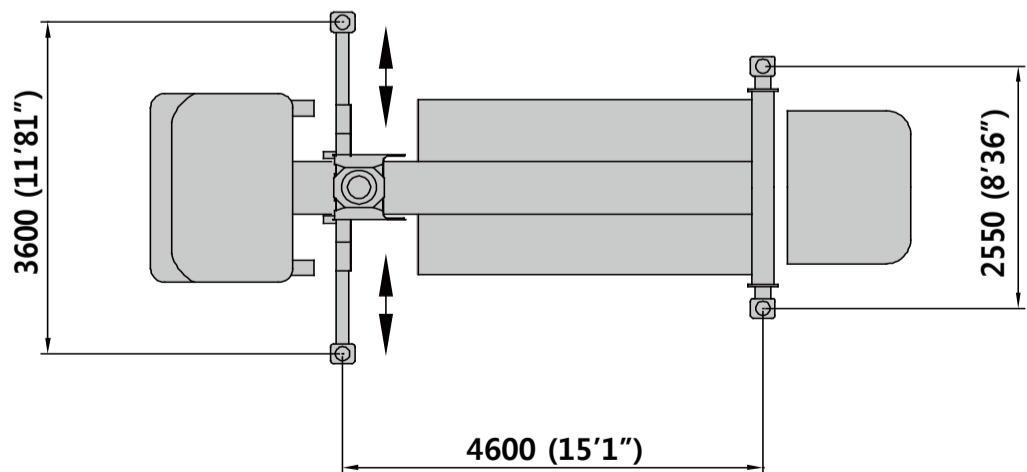


20M Truck Mounted Boom Pump with 90m³/h Output ZZ Type Boom Design

BOOM WORKING DIAGRAM



OUTRIGGER SPAN



* All technical data are theoretical values and Specification are subject to change without prior notice.
 * www.junjin.com