

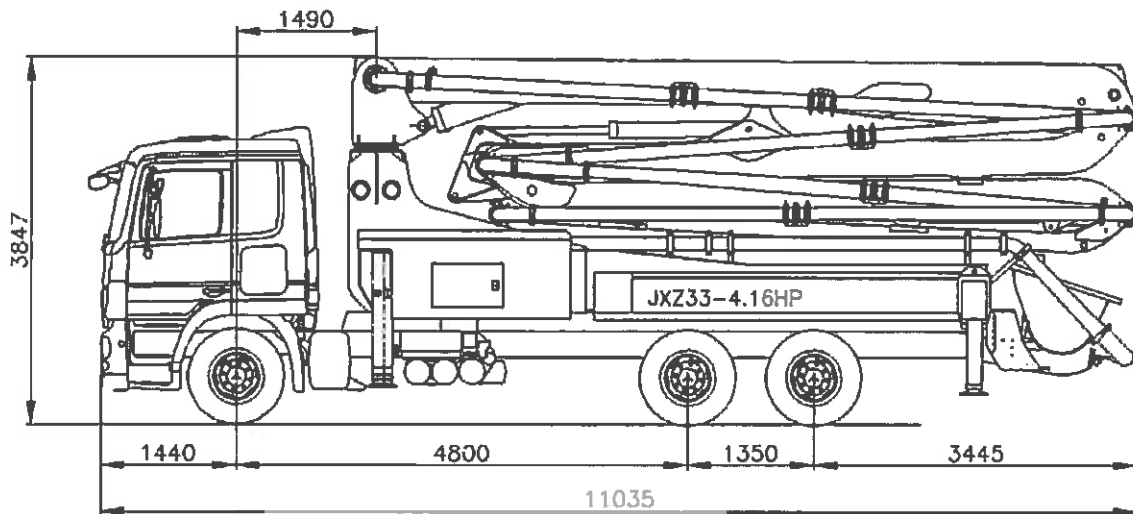
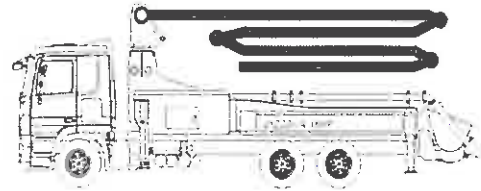
# DATA SHEET

## TRUCK MOUNTED BOOM PUMP



# JXZ33-4.16HP

33M Truck Mounted Boom Pump  
with 160m<sup>3</sup>/h Output & Z Boom Design

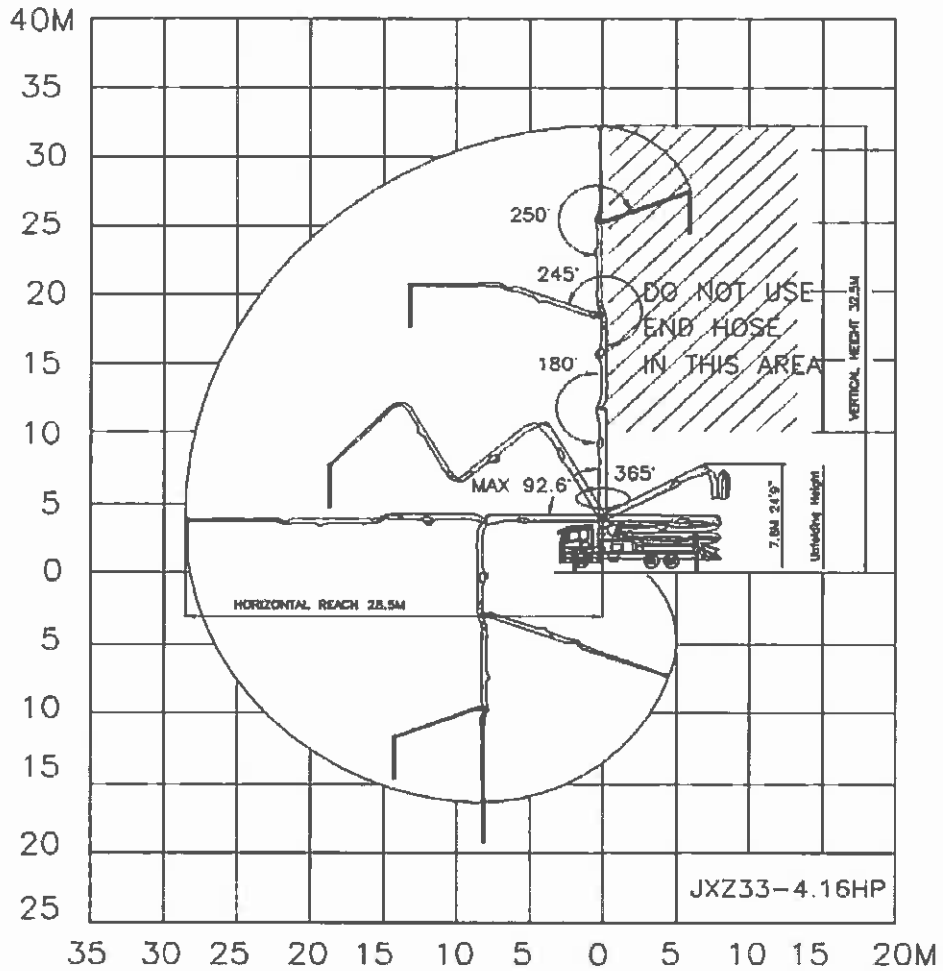


Remark: Standard specification with MB 2641. Dimension depends on truck specification.

## TECHNICAL SPECIFICATION

General Specification		Pump Specification			Boom Specification	
Delivery Line	DN 125 / 5"	Output	Rod	158 m <sup>3</sup> /h	Number of Booms	4 Sections
Radio Remote	Proportional Control		Piston	98 m <sup>3</sup> /h	Folding Type	Z Fold
Wear Plate / Ring	Tungsten Carbide	Pressure	Rod	72 Bar	Vertical Height	32.5 m
Water Pump	20 Bar		Piston	115 Bar	Horizontal Reach	28.5 m
Water Tank	600 Liter	Delivery Cylinder (Hard-chromed)	∅230 mm		Unfolding Height	7.6 m
Auto Lubrication	Hyd. greaser, Hopper	Stroke Length	2100 mm		End-Hose Length	3.0 m
		S-Valve	8" x 7"		1st Section	8.0 m
		Main Oil Pump	Rexroth Hydromatik		2nd Section	6.9 m
		System Pressure	350 Bar		3rd Section	6.8 m
		Switching Type	Hydraulic		4th Section	6.8 m
		Hopper Capacity	600 Liter			

## ■ BOOM WORKING DIAGRAM



## ■ OUTRIGGER SPAN

