



Ref no. JDB28-001

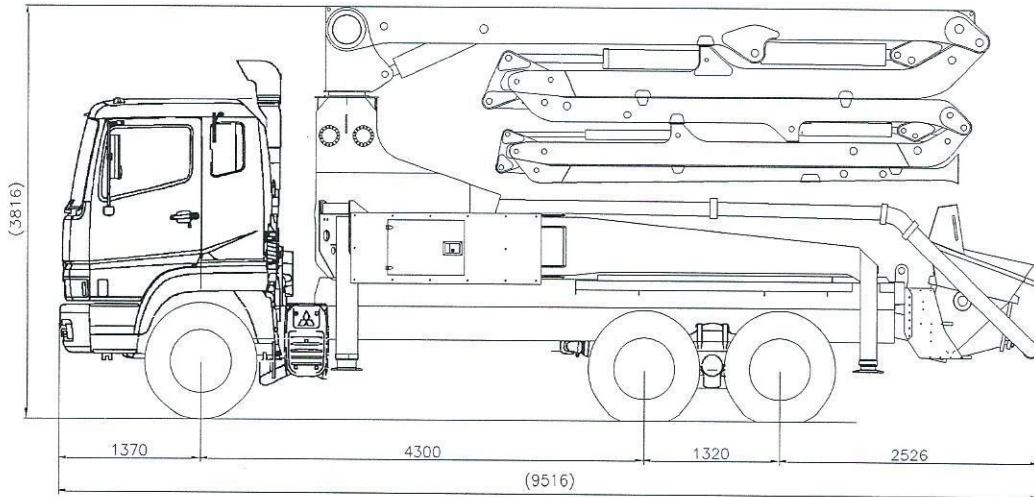
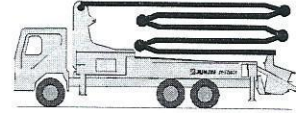
DATA SHEET

TRUCK MOUNTED BOOM PUMP



JXZZ28-5.11HP

28M Truck Mounted Boom Pump
with 110m³/h Output ZZ Type Boom Design



* Remark : Standard specification with FUSO 6X4. Dimension depends on truck specification.

TECHNICAL SPECIFICATION

General Specification		Pump Specification			Boom Specification	
Delivery Line	DN 125 / 5"	Output	Rod	109 m ³ /h	Number of booms	5 Sections
Radio remote	Proportional control		Piston	73 m ³ /h	Folding Type	ZZ
Wear plate / Ring	Tungsten Carbide	Pressure	Rod	54 Bar	Vertical Height	27.7 m
Water Pump	20 Bar		Piston	80 Bar	Horizontal Reach	23.9 m
Water Tank	470 Liter	Delivery Cylinder (Hard-chromed)	Φ230 mm		Unfolding height	5.25 m
Auto Lubrication	Hyd. grease, Hopper	Stroke Length	1400 mm		End-Hose Length	3.0 m
		S-Valve	8" X 7"		1st Section	6.15 m
		Main Oil Pump	Rexroth Hydromatic		2nd Section	4.5 m
		System Pressure	350 Bar		3rd Section	4.35 m
		Switching Type	Hydraulic		4th Section	4.35 m
		Hopper Capacity	500 Liter		5th Section	4.5m

* All technical data are theoretical values and Specification are subject to change without prior notice.
* www.junjjin.com



Ref no. JDB28-001

DATA SHEET

TRUCK MOUNTED BOOM PUMP

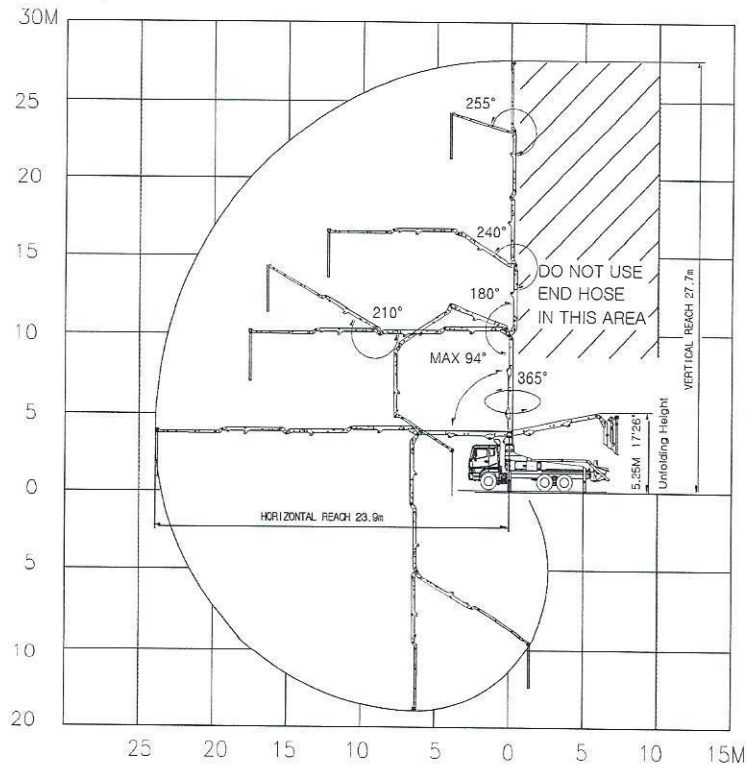


JXZZ28-5.11HP

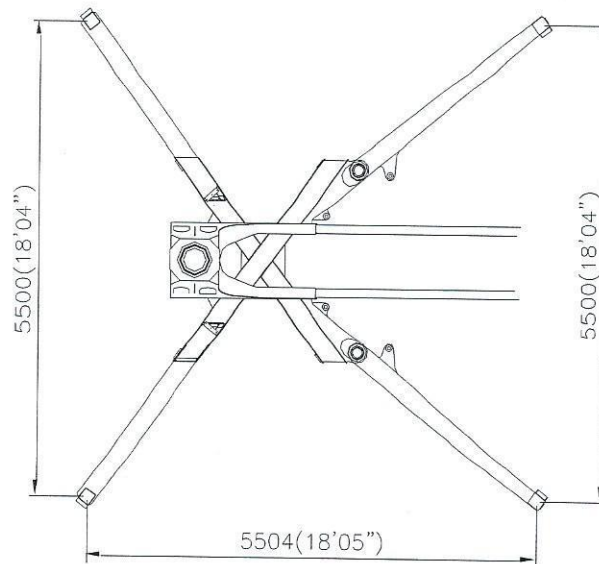
28M Truck Mounted Boom Pump with 110m³/h Output ZZ Type Boom Design

Specifications

**BOOM
WORKING
DIAGRAM**



**OUTRIGGER
SPAN**



* All technical data are theoretical values and Specification are subject to change without prior notice.
 * www.junjn.com