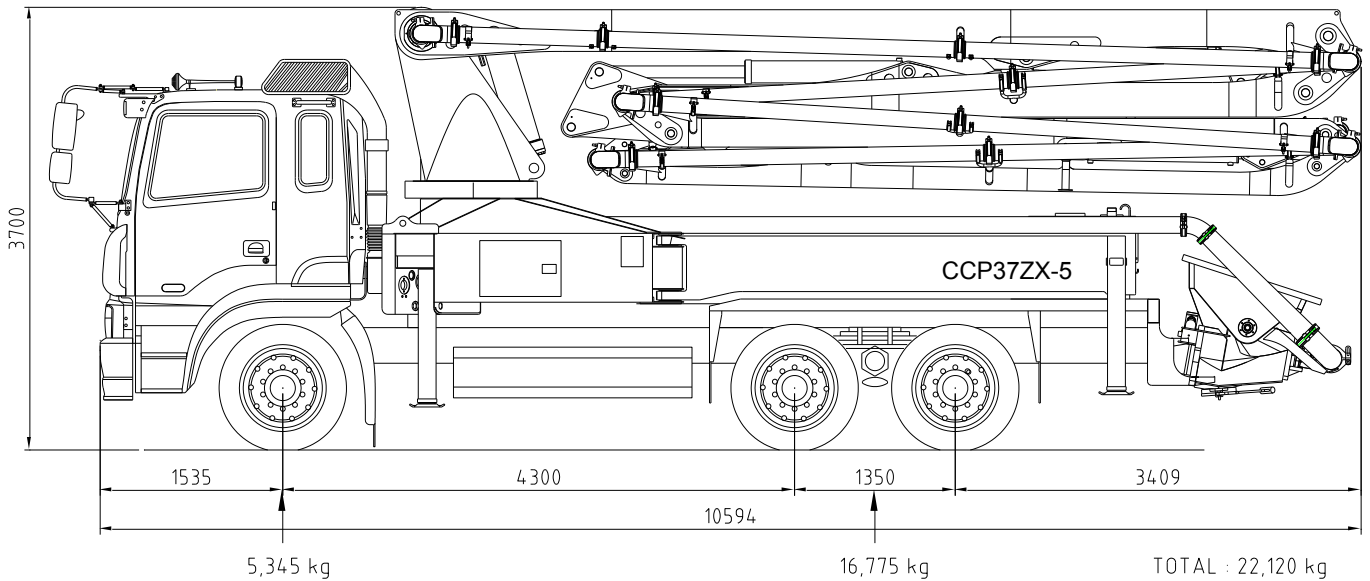


# CCP Callaghan

## CONCRETE PUMPS CCP37ZX-5

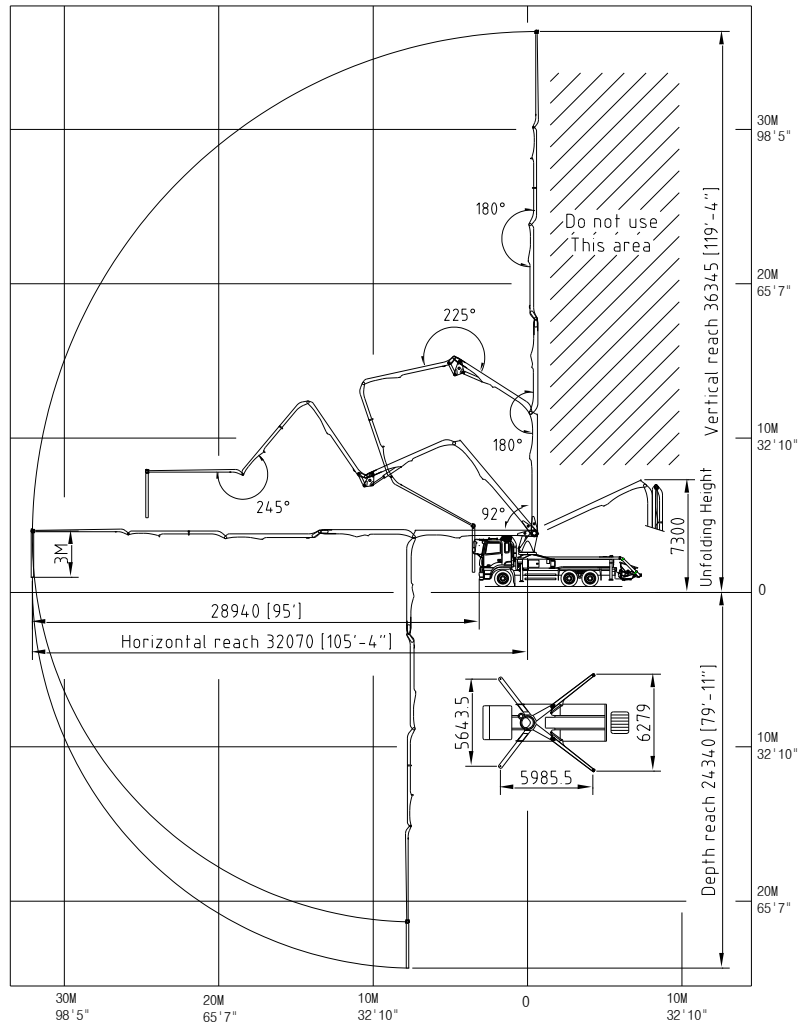


### ▣ Boom specifications

Vertical reach	36.34M
Horizontal reach	32.07 M
Reach from front of truck	28.94 M
Unfolding height	7.3 M
Section articulation	92°/180°/225°/180°/245°
Rotation	370°
Delivery line	125 mm
Proportional boom	Yes
End hose length	3M
Outrigger spread-front	5.64 M
Outrigger spread-rear	6.28 M
Max. outrigger weight	17,500kg

- © Photos and drawings are for illustration purpose only
- © Right to make technical amendments reserved

### ▣ Working diagram



### ▣ Pump specifications

Maximum output	150 m <sup>3</sup> /h
Concrete cylinder	Ø230×1800
Stroke per minute	25
Concrete pressure	69 bar
Hopper capacity	0.6 m <sup>3</sup>
S-tube	Ø200×Ø150
Hydraulic pump	KCP – K3V140DT
Cycling system	Hydraulic with manual overrides
Max. aggregate size	40 mm